



Art. 021-1203-DPO

Air-operated industrial disjoint pump for oil, lubricants and similar fluids
Mod. 1203D HIGH DELIVERY

Ratio=3:1 double-acting Delivery capacity 100 l/min

For wall-fixing or fixed positions.

Polyurethane seals

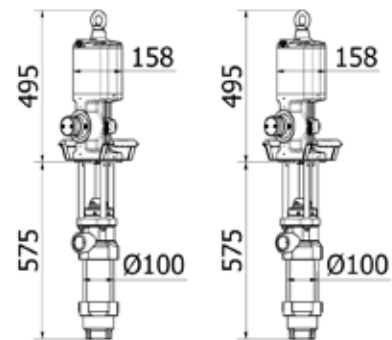
Art. 021-1203-DVO

Air-operated industrial disjoint pump for chemical fluids
Mod. 1203D HIGH DELIVERY

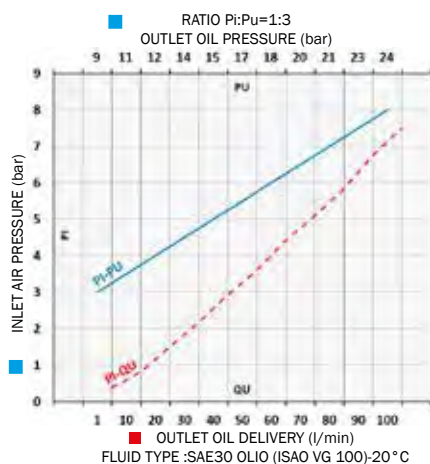
ratio=3:1 double-acting Delivery capacity 100 l/min

For wall-fixing or fixed positions.

Viton seals



021-1203-DPO	39,200	0,110	1
021-1203-DVO	39,200	0,110	1



Technical Data	021-1203-DPO	021-1203-DVO
Compression ratio	3:1	3:1
Working pressure	bar	8
Air consumption at 8 bar	m ³ /min	2,90
Air inlet connection	BSP	F 1/2" G
Fluid outlet connection	BSP	F 1.1/2" G
Fluid delivery cap. at 8 bar	l/min	100
Noise	dB	80
Shank diameter	mm	100
Shank length	mm	Modular F 2"

Automatic engine body and shank kit are divided in order to avoid that the fluid enters directly in contact with motor body. These pumps are advised for the transfer of oil and industrial fluids for medium-long distances, guarantee high performance as per delivery capacity (l/min) and also for working pressure.

The delivery capacity of a pump varies according to particular applications and combinations.

The operating pressure may vary between a minimum of 3 bar and a maximum of 8 bar. The double-acting guarantees the delivery of a continuous and constant flow, suitable for installations on distribution facilities. To optimize the performance and the time-life of the air-operated pumps we advise to use filtered and lubricated air.